



State of Texas Assessments of Academic Readiness

# **GRADE 3**

## **Mathematics**

# **Paper Item Sampler**

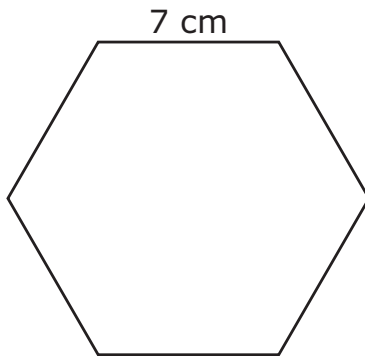
- 1** The expanded notation of a number is shown.

$$(3 \times 1,000) + (4 \times 100) + (9 \times 1)$$

What is the standard form of this number?

Record your answer in the space provided.

- 2 The hexagon shown has sides that are each 7 centimeters in length.



What is the perimeter of the hexagon in centimeters?

Record your answer in the space provided.

- 3 Complete the statement so that it correctly compares two place values in the number shown.

73,333

Select **ONE** correct answer in each box to complete the sentence.

The value of the digit 3 in the 

<input type="radio"/> A	hundreds
<input type="radio"/> B	thousands

 place is 10 times the

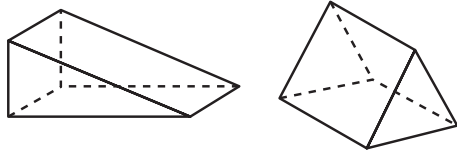
value of the digit 3 in the 

<input type="radio"/> A	ones
<input type="radio"/> B	tens

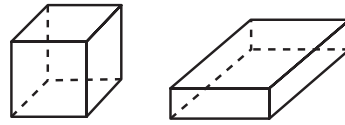
 place.

- 4 Veronica sorted shapes into three groups based on a common characteristic.

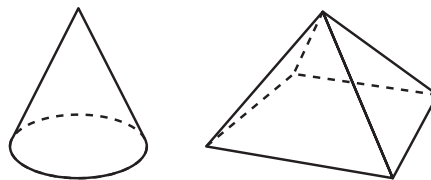
Group A



Group B



Group C



Select **ONE** correct answer in each box to complete the sentence.

All the figures in Group A are 

<input type="radio"/> (A) rectangular prisms
<input type="radio"/> (B) triangular prisms

 because they

have 

<input type="radio"/> (A) only one rectangular base
<input type="radio"/> (B) two rectangular bases
<input type="radio"/> (C) only one triangular base
<input type="radio"/> (D) two triangular bases

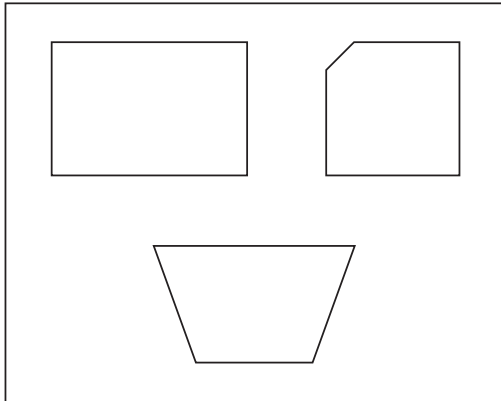
.

- 5 Camille sorted shapes into two labeled groups. She sorted two shapes incorrectly.

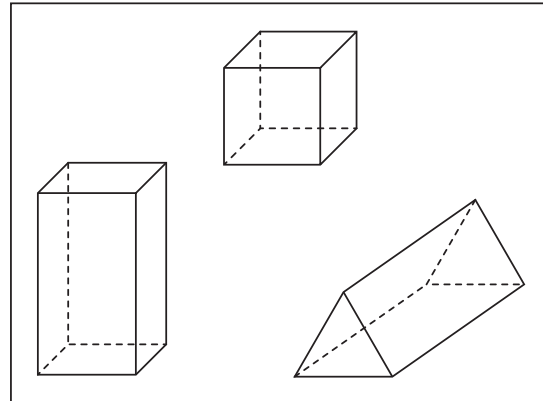
Which shapes did Camille sort incorrectly?

Circle **TWO** correct answers.

Quadrilaterals



Rectangular Prisms



- 
- 6 Miguel decided to watch a show on television:

- It took him 15 minutes to choose a show to watch.
- After choosing a show, he watched the show for 1 hour.

If Miguel started choosing a show at 7:45, at what time did he stop watching the show?

Shade the **ONE** correct circle that represents the point.



- 7 The table shows the number of students in an art class who created each of four art projects.

Art Projects

Project	Number of Students
Birdhouse	5
Jewelry box	6
Puppet	2
Wind chimes	3

Complete the pictograph by shading the circles to show data from the table.

Shade the circles or half circles you want to shade. Circles and half circles should be fully shaded.



Art Projects

Birdhouse	○ ○ ○ ○ ○ ○ ○ ○ ○ ○
Jewelry box	○ ○ ○ ○ ○ ○ ○ ○ ○ ○
Puppet	○ ○ ○ ○ ○ ○ ○ ○ ○ ○
Wind chimes	○ ○ ○ ○ ○ ○ ○ ○ ○ ○

Each ● means 2 students.

- 8 A baker is making peach pies. He needs 4 peaches for each pie.

Complete the table to show the relationship between the number of pies the baker makes and the number of peaches he needs.

Select the correct answer for each box.

**A** 28

**B** 10

**C** 3

**D** 32

**E** 9

**F** 2

Peaches Needed for Pies

Number of Pies	Number of Peaches
1	4
(A) (B) (C) (D) (E) (F)	12
6	24
8	(A) (B) (C) (D) (E) (F)
(A) (B) (C) (D) (E) (F)	36

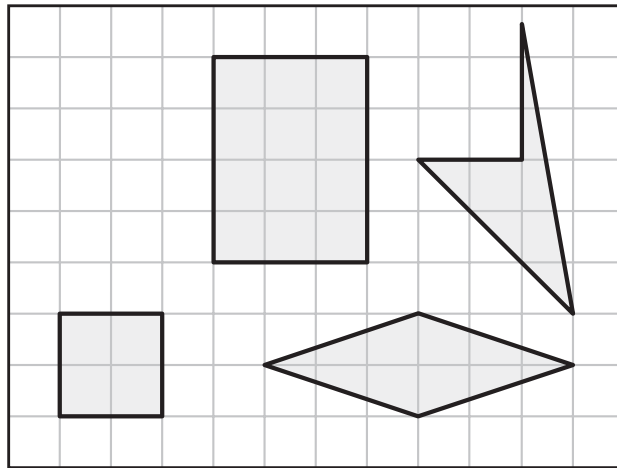


- 9 Mr. Cona is a third-grade teacher. Which factors would most likely affect the amount of money he is paid for his job?

Select **TWO** correct answers.

- The number of years he has been teaching
- The cost of his home
- The type of teaching degree he has
- The bank he uses
- The distance he lives from the school

**10** Nia drew this group of shapes on a grid.



What are two of the shapes included in Nia's group?

Select **TWO** correct answers.

- Pentagon
- Rectangle
- Rhombus
- Trapezoid
- Triangle

**STAAR  
GRADE 3  
Mathematics  
Paper Item Sampler**

